

TB-2715 TERMINAL BLOCK

This installation guide describes how to install and connect signals to the TB-2715 terminal block for use with PXI-653X and PXI-660X modules.

Use the TB-2715 terminal block to connect to the signals of a PXI-653X or PXI-660X module. Connect your signals to the screw terminals housed in the terminal block then install the TB-2715 to the PXI front panel.

What You Need to Get Started

To set up and use the TB-2715, you will need the following:

- TB-2715 terminal block
- Quick-reference labels for PXI-653X and PXI-660X
- One of the following:
 - PXI-653X module
 - PXI-660X module
- 653X User Manual* or *660X User Manual*
- 0.10 in. slotted screwdriver
- Number 1 Phillips screwdriver
- Wire cutters
- Wire insulation stripper

Connecting Signals to Your Terminal Block

Refer to Figure 1 as you perform the following steps to connect signals from the peripheral device to the TB-2715. For more information about connecting signals to your terminal block, see your *653X User Manual* or *660X User Manual*.

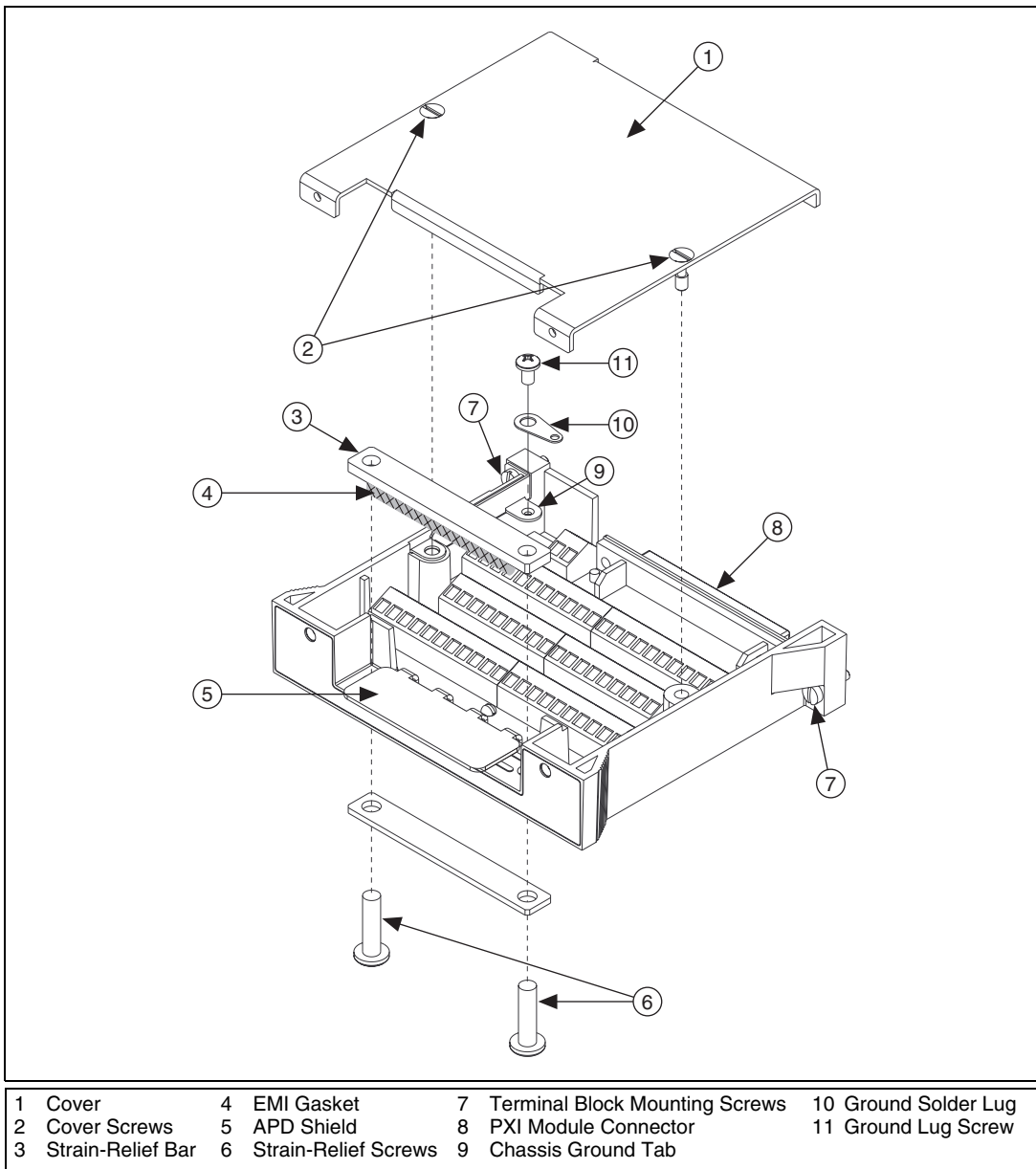


Figure 1. TB-2715 Parts Locator Diagram

1. Remove the terminal block cover by unscrewing the two cover screws using the 0.10 in. slotted screwdriver.
2. Apply the appropriate quick reference label to the inside of the top cover as shown in Figure 2. This label provides the corresponding signal names on the PXI module for each pin number.

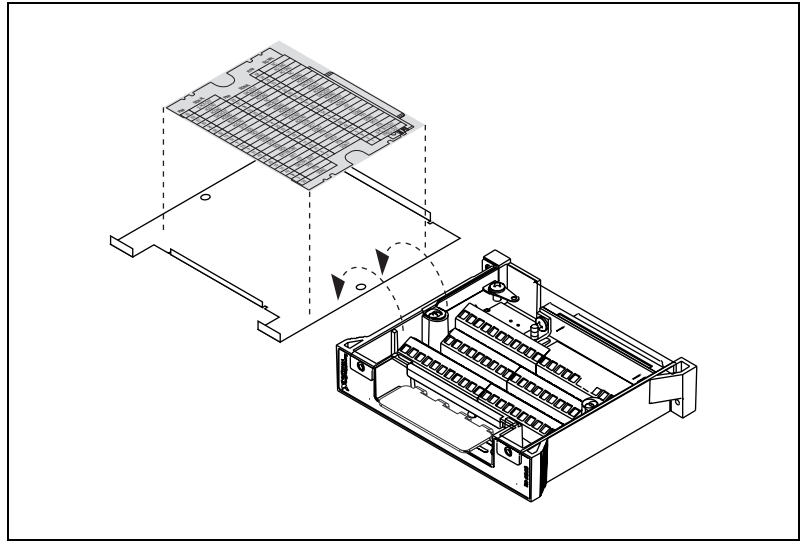


Figure 2. Inserting the Quick-Reference Label

3. Loosen or remove the strain-relief bar by loosening the two strain-relief screws with a Number 1 Phillips screwdriver.
4. Use wire cutters and wire insulation strippers to strip no more than 7 mm of insulation from the wire ends.
5. Use Figures 3 and 4 to find the 653X and 660X signals that correspond to the screw terminals on the TB-2715. Please note that lines 19, 35, 43, and 56 are not connected.

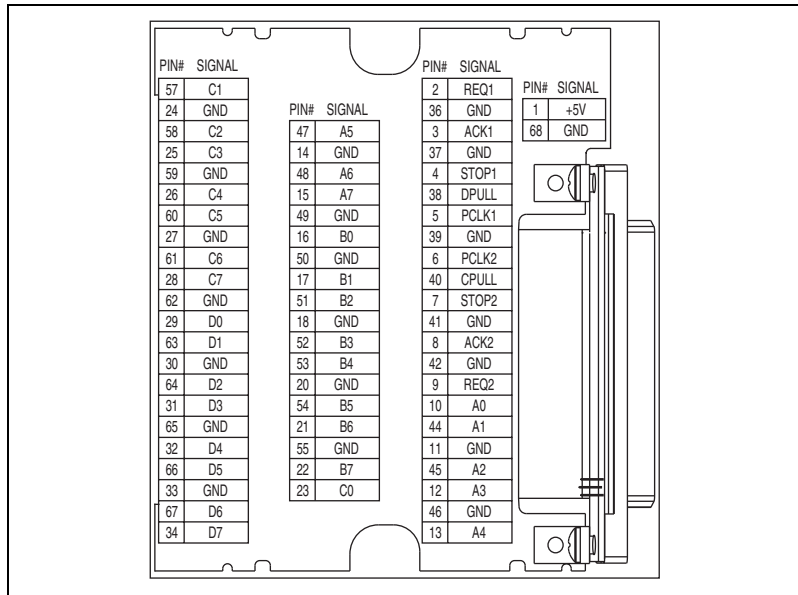


Figure 3. Pinout Diagram for PXI-653X Modules

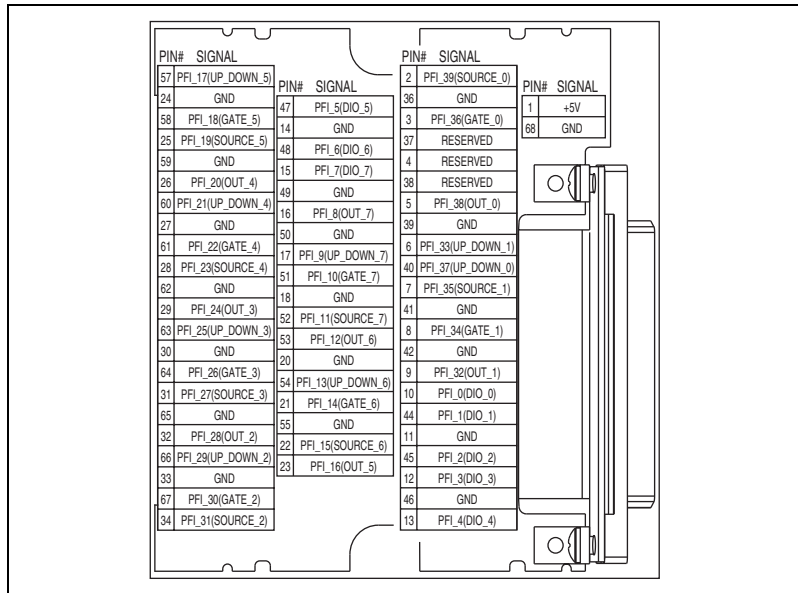


Figure 4. Pinout Diagram for PXI-660X Modules

- Loosen the screws in the screw terminals with the 0.10 in. slotted screwdriver.



322984A-01

Dec00